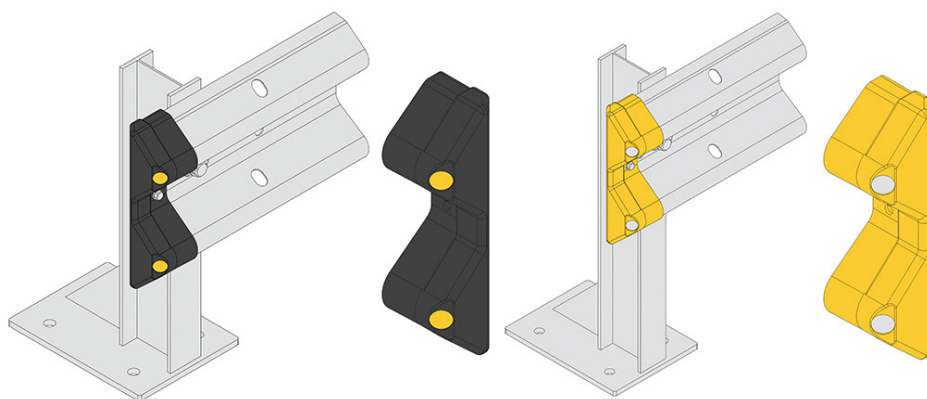


Armco Safety Ends
 Brandsafe[®] Impact Protection



Features and Benefits

- Polymer moulded safety ends with single point fixing
- Ideal for covering razor sharp Armco cut ends that otherwise present safety issues
- Suits Armco 310mm x 85mm corrugated rails
- Available in yellow or black
- Fitted with 2 diamond grade reflectors
- Fixings included

These Polymer Safety Ends are highly visible, simple and quick to install.

Designed to suit Armco 310mm x 85mm corrugated rails.

The yellow or black colours contrast against the steel of the barriers, together with diamond grade reflectors, to not only offer an aesthetic look but also help from a safety aspect.

Material Specification

Manufactured from polyethylene

338mm high

Suits 310mm x 85mm Armco rail

| | |
|--------------------------|---|
| Material | Polyethylene (MHDPE) |
| Polymer formula | Colour-fast / UV package |
| Recycling group | PE/4 |
| Colour | Yellow and black |
| Height | 338mm to suit 310mm x 85mm Armco rail |
| Fixings | 1 no. M10 x 35mm galvanised bolt set (included) |
| Safety reflectors | 2 no. 25mm silver diamond grade reflectors |