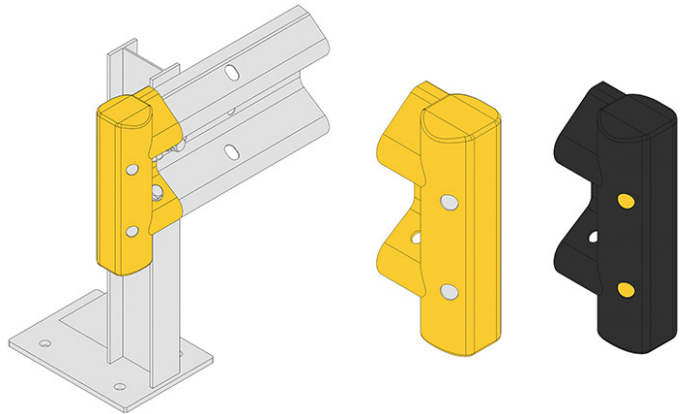
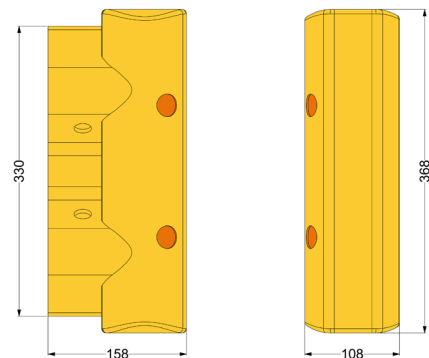


**Armco Pedestrian Safety Ends**  
 Brandsafe<sup>®</sup> Impact Protection



**Features and Benefits**

- Polymer moulded pedestrian safety ends
- Improve safety across your facility and for your personnel
- Provides a safe and visual termination to Armco rails
- Supplied in yellow or black, with diamond grade reflectors
- Retrofit compatibility with all Armco terminals
- Quick and easy to install with 2 supplied bolts
- Fixing bolts included



These Polymer Pedestrian Safety Ends are highly visible and will improve safety across your facility and for your personnel. They are simple and quick to install and have a retrofit compatibility with all steel Armco terminals.

The yellow or black colours contrast against the steel of the barriers, together with diamond grade reflectors, to not only offer an aesthetic look but also help from a safety aspect.

**Material Specification**

Manufactured from polyethylene  
 338mm high  
 Suits 310mm x 85mm Armco rail

<b>Material</b>	Polyethylene (MHDPE)
<b>Polymer formula</b>	Colour-fast / UV package
<b>Recycling group</b>	PE/4
<b>Colour</b>	Yellow and black
<b>Height</b>	338mm to suit 310mm x 85mm Armco rail
<b>Fixings</b>	2 no. M16 x 35mm galvanised bolt set (not included)
<b>Safety reflectors</b>	2 no. 25mm silver diamond grade reflectors