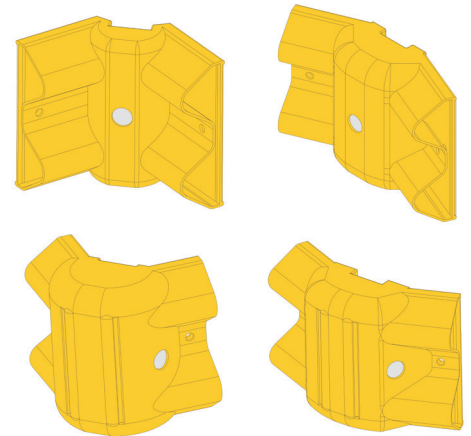


**Armco Safety Corners**  
 Brandsafe<sup>®</sup> Impact Protection



**Features and Benefits**

- Flexible Polymer Safety Corners to make your Armco barrier safe
- Highly visible for your MHE/PIT operators and HGV drivers
- Designed for fitment with a single Armco post, saving costs and install time
- Available as external or internal corners, 90 or 135 degrees
- Colour choice of yellow or black
- All corners include diamond grade reflective disks
- Fixing bolts included

These flexible Polymer Safety Corners will make your Armco barrier safer and highly visible to your MHE/PIT operators and HGV drivers

Simple and quick to install, they are designed for fitment with a single Armco post, saving cost and install time.

Available in yellow with silver reflectors for service yards and forklift areas or in black with yellow reflectors for front-of house/domestic vehicle areas. The yellow or black colours contrast against the steel of the barriers.

**Material Specification**

Manufactured from polyethylene  
 350mm high  
 Suits 310mm x 85mm Armco rail

<b>Material</b>	Polyethylene (MHDPE)
<b>Polymer formula</b>	Colour-fast / UV package
<b>Recycling group</b>	PE/4
<b>Colour</b>	Yellow and black
<b>Height</b>	350mm to suit 310mm x 85mm Armco rail
<b>Single post fix</b>	1 no. M10 x 25mm bolt + washer (included)
<b>Armco rail fixings</b>	2 no. M16 x 35mm galvanised bolt sets (NOT included)
<b>Safety reflectors</b>	2 no. 40mm silver diamond grade reflectors