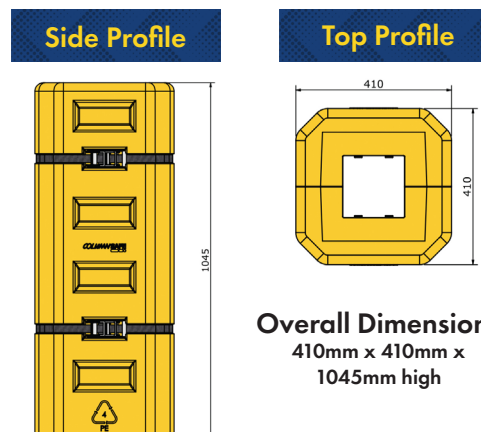


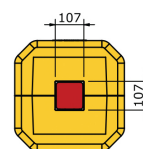
SpaceSaver Column Protectors

Brandsafe[®] Impact Protection

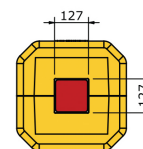


Features and Benefits

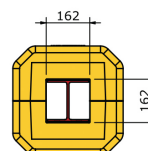
- Designed specifically for mezzanine columns whereby space is at a premium
- Attractively and robustly designed to protect structural columns and vehicles from damage
- The (air cushion) impact energy absorbing design, also reduces risk of operator injury
- A 'snug and robust fit', secured by 850kg rated ratchet action webbing straps
- Tough Polyethylene mouldings will stand up to all weathers

**SCP03**

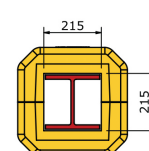
100mm x 100mm

**SCP04**

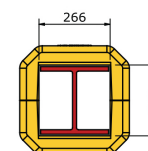
120mm x 120mm

**SCP05**

150mm x 150mm

**SCP06**

203mm x 203mm

**SCP07**

250mm x 250mm

Material Specification

Manufactured in the UK from medium density polyethylene

All weather temperature range of -40 to +90 degrees

1045mm high x 410 x 410mm OD

Secured by 2 No. 25mm wide ratchet straps - black

Optional steel skirt for fork and pallet impact

Material	100% recyclable Polyethylene
Recycling group	PE/4
Height	1040mm
Security	2 no. 25mm wide ratchet straps
Temperature range	-40°C to 90°C
Manufactured	UK
Colour	Yellow & black - Caution/hazard
Size options	5 size options to suit columns 100mm x 100mm up to 254mm x 254mm